

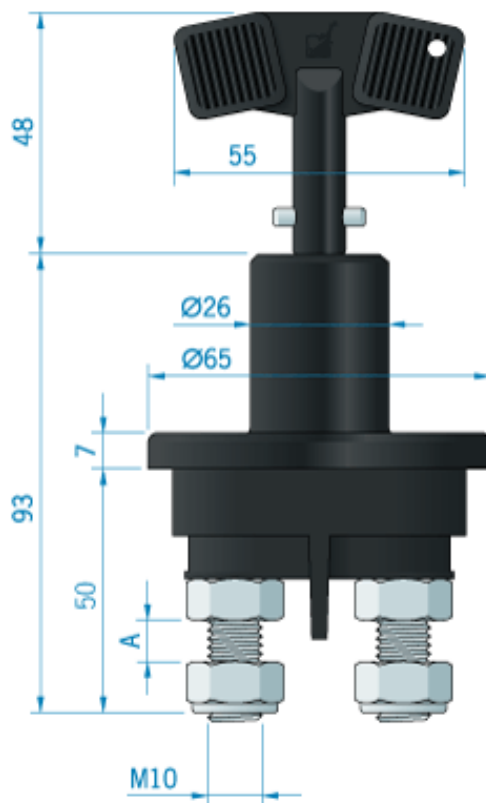


### Battery switch for accumulator up to 250 A/24 V

Breaking capacity 250 A/24 V. Short-time current 1000 A DC/5s. Thermoelectric current 250 A DC. Isolation voltage 1000 V DC. Removable key. Housing flame-proof Polyamide according to UL94-V0. Contact bridge and pole screws – DIN 1787 CU = 99.99% – Tin-plated. Lock nuts: Stainless steel.

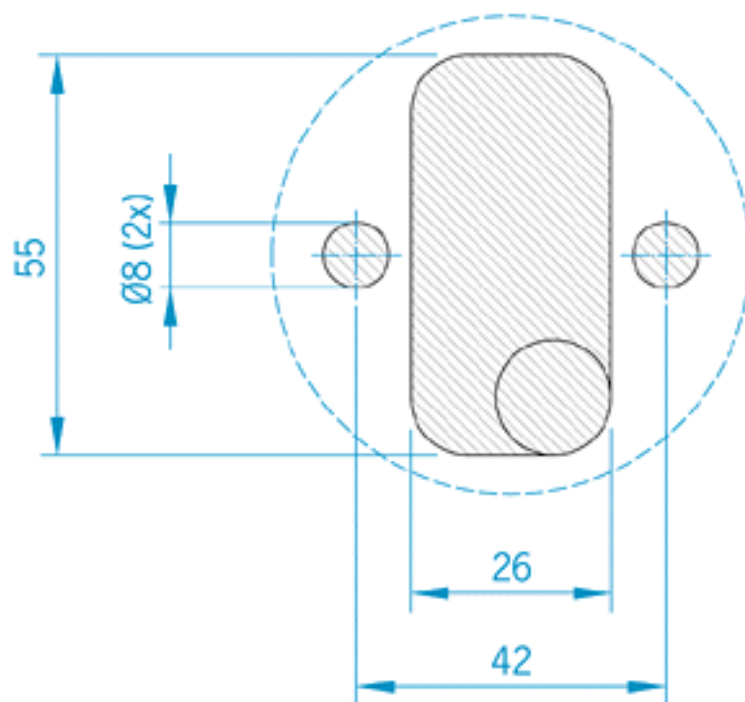
Art.no.	Material	A = mm	Note
460232	Polyamid, Glasfiber reinforced	10	
460233	Polyamid, Glasfiber reinforced	3	
460310	Plastic		Extra key, black

» Red marked items: No stock item, only against production order. Please contact us for delivery time and minimum quantities.



RESERVDLAR / SPARE PARTS  
 Nyckel / Key  
 ■ Svart Black 460310  
 ■ Grön Green 460311  
 For switch 462034-35

## Hålmall / Cut out



## Related products



**Battery switch for accumulator  
up to 250 A/24 V**

Item no: : 460234 - 460311



**Battery switch – Fixed key**

Item no: : 460257